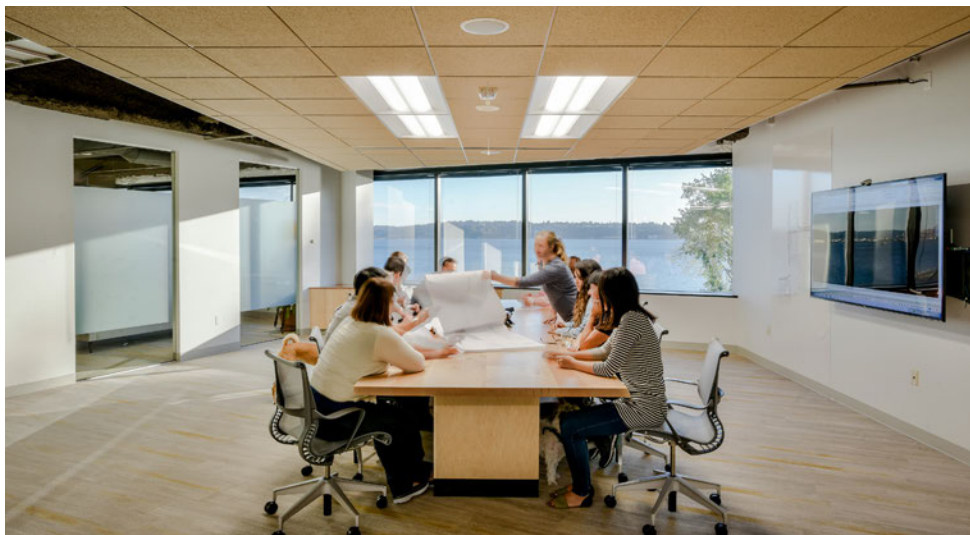


OFFICE

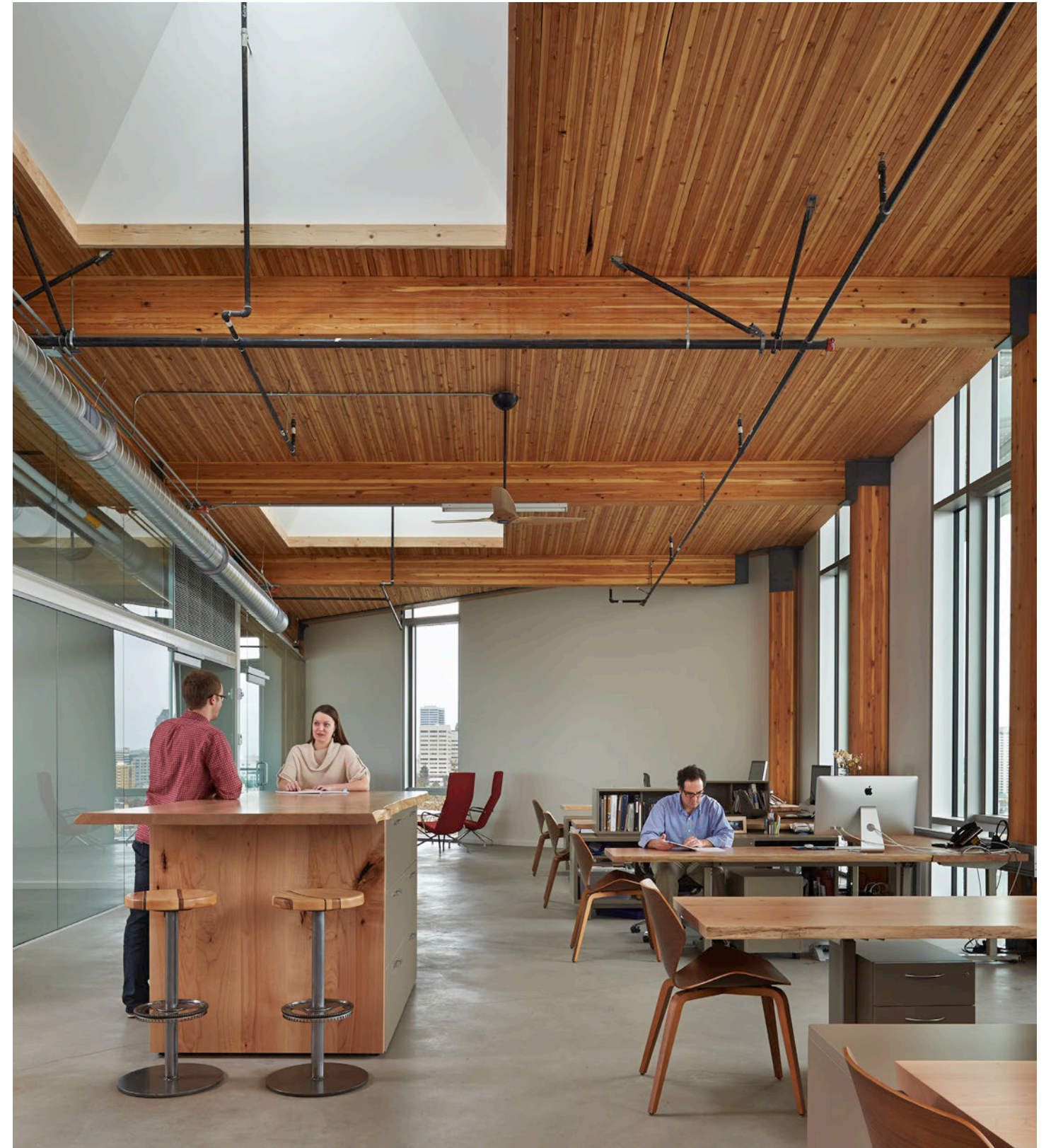


meyer wells
ART FROM WOOD



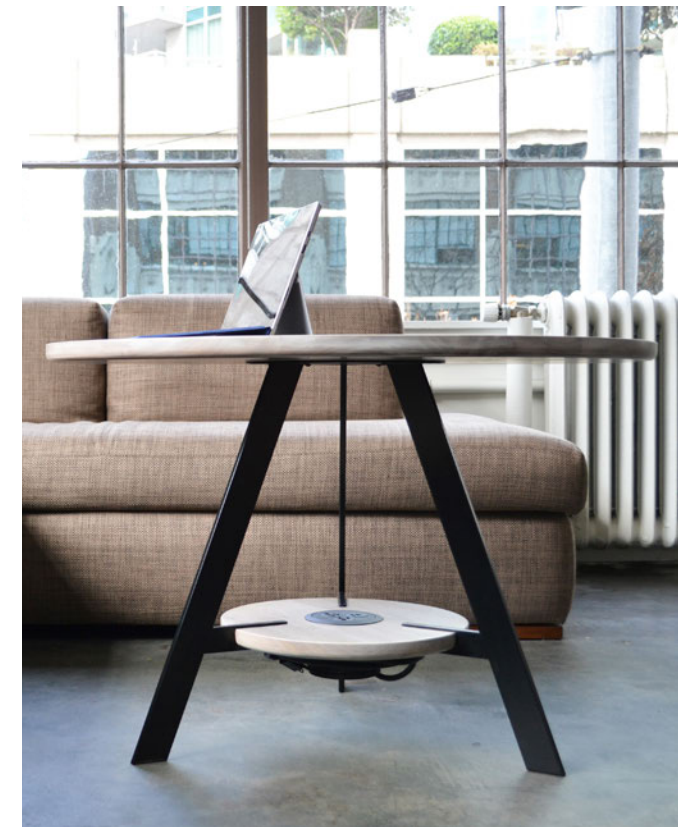
biophilic design

The tables we create bring the warmth, beauty and authenticity of nature into your living and work environments. Each piece represents our appreciation for nature and our desire to connect the natural world with our daily one. We all seek that connection and we all benefit from strengthening it through the inclusion of natural design elements. Each table we craft is carefully composed from what nature brings us, tamed only with clean lines and exquisite finishes. It's as simple and as beautiful as that - our tables bring your space to life.





COMMUNITY . SOLO . CONFERENCE . MEETING
tables that fit your needs from individual work to large conference



individual work . smaller groups



Shown in Clear Premium Ply top with Matte Black base; Right: Shown in custom Snow Walnut top with Matte Black base and CLIP2 data unit.



Clockwise from Left: Shown in Clear Premium Ply top with Matte Black base; Snow Premium Ply top with Terra Cotta base; Seashell White base.

BARLOW

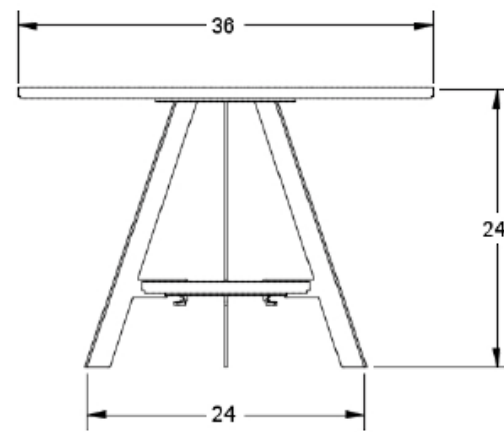
Solid wood or Premium Ply round top and shelf on angled steel legs

SIZES

One size 36"D x 24"H

DETAILS

3/8" x 2" HRFB
3 hooks under shelf for cord management
Top thickness 1"



BARLOW - STANDING HEIGHT

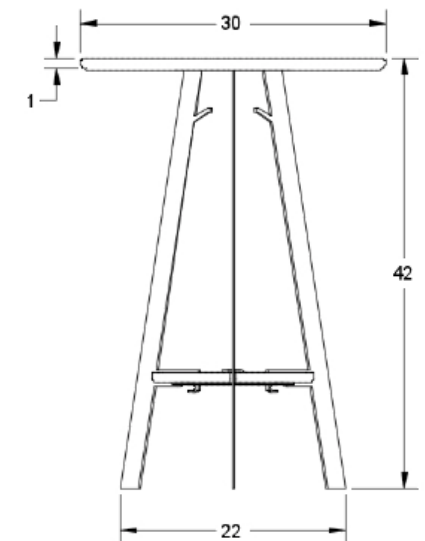
Solid wood or Premium Ply round top and shelf on standing height angled steel legs with three hooks

SIZES

One size 30"D x 42"H

DETAILS

3/8" x 2" HRFB
3 larger hooks under top
3 hooks under shelf for cord management
Top thickness 1"
Optional data/power unit available in lower shelf



smaller groups . meeting



Shown in Clear White Oak Planked top and shelf with Seashell White metal base & CLIP1 data units in White

BARLOW OVAL

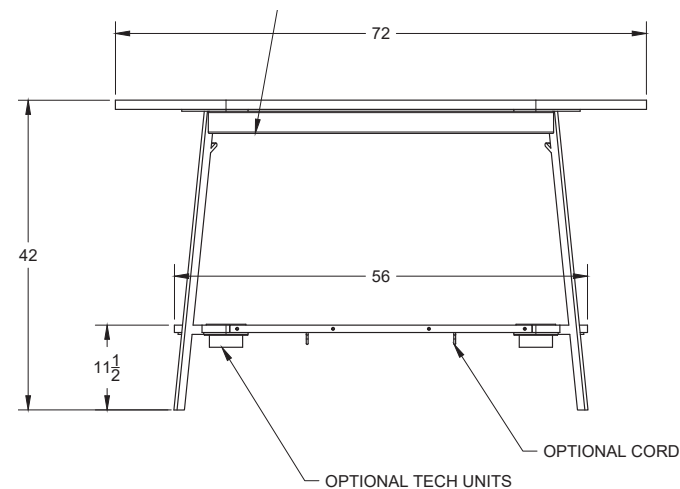
Solid wood or Premium Ply oval top and shelf on standing height angled steel legs with four hooks

SIZES

24,30,36"W x 60,72,84,96"L x 42"H

DETAILS

3/8" x 2 HRFB
4 larger hooks under top
Metal kick plate on both sides of lower shelf
Hooks under shelf for concealed cord management
FSC available upon request FSC® CO41262



Shown in Clear White Oak Veneer top with Clear Solid White Oak base

SKYLINE

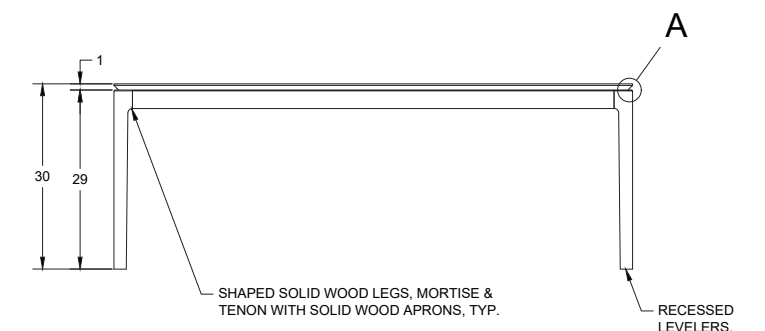
Knife edge wood top floating over solid wood rails with a continuous rabbet edge

SIZES

30"-42"W x 60"-95"L x 30"H
42"-59"W x 97"-119"L x 30"H

DETAILS

Exposed edge can contrast or complement the top finish
Base is solid wood
Roughly 3" x 3" tapered wood leg
FSC available upon request FSC® CO41262





Shown in Clear Walnut top; Matte Black base; ASHE1 data unit.



Shown in Clear Walnut top; Matte Black base with 4" Center Metal Leg; custom INTG1 data unit.

NARA

Solid wood or Premium Ply top on minimalist steel plate legs with optional interior channel for concealed cord management

DETAILS

3/8" HRPO steel plate
 1/4" flatbar attachment plate
 120"+ L tables must use Box legs for center leg(s)
 28.25" H
 36", 42" and 48" W
 60" - 240" L
 Also available with center 4" metal box leg



Center 12" Wood Box Leg

BROWER

Solid wood or Premium Ply top on U-shaped, rectangular tube steel base

DETAILS

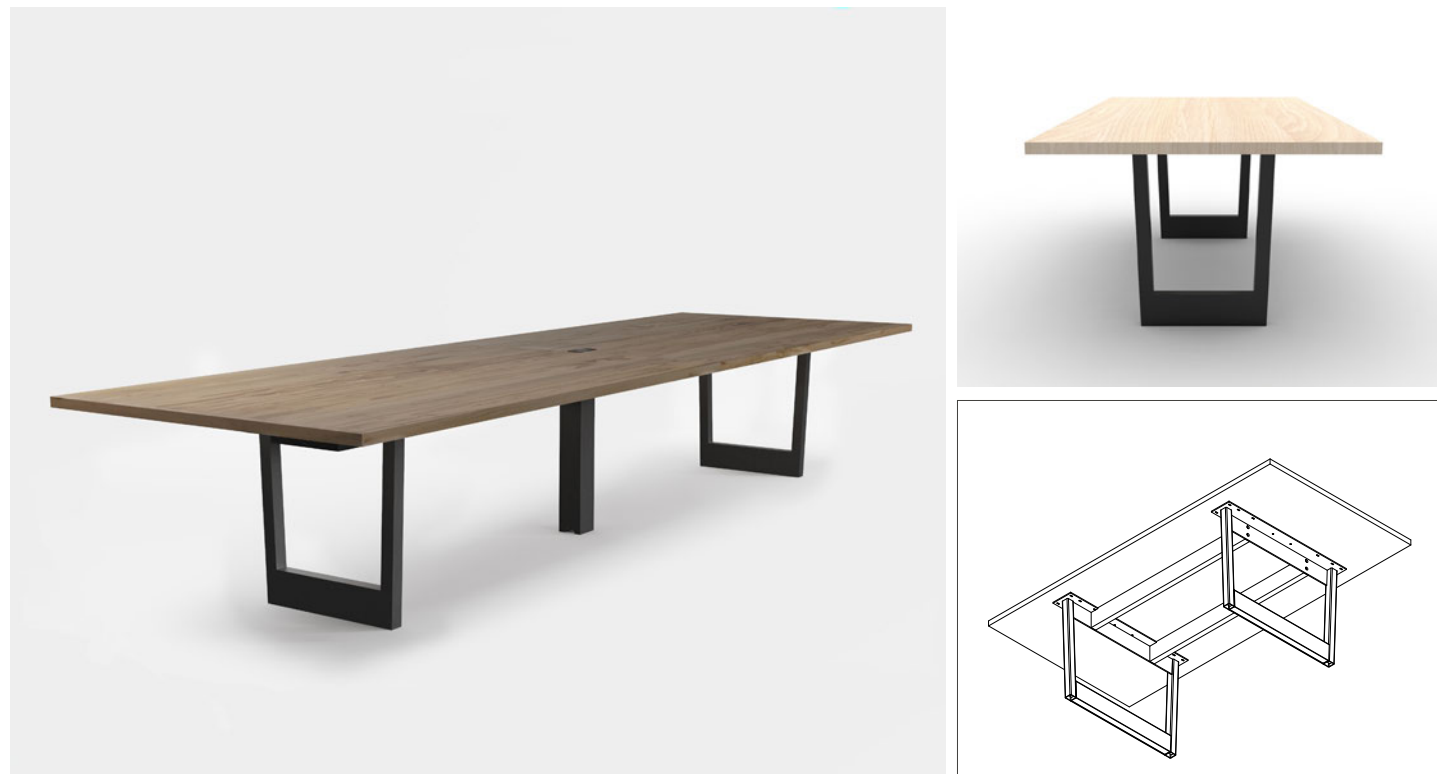
2" x 4" rectangular steel tube
 1/4" x 5" CRFB attachment plate
 Recessed adjustable levelers
 28.25" and 40.25" H
 36", 42" and 48" W
 60" - 240" L
 Also available with center 4" metal box leg



Center Brower Leg



Center 12" Wood Box Leg



Left: Shown in Clear Walnut top; Matte Black base with COHV2 unit and center 4" metal leg; Right: Shown in Clear Ash with Matte Black base.



Shown in Clear Walnut top; Matte Black base with COHV2 unit and center 4" metal leg;. Right image shows three Wallace legs.

ANSEL

Solid wood or Premium Ply top on two angled steel legs

DETAILS

2" x 2" rectangular steel tube leg
 2" x 5" rectangular steel tube leg base
 4" x 1/4" CRFB attachment plate
 Recessed adjustable levelers
 28.25" H
 36", 42" and 48" W
 60" - 240" L
 Also available with center 4" metal box leg



SNAK1 cord management

WALLACE

Solid wood or Premium Ply top on trapazoid-shaped steel legs

DETAILS

1/2" x 4" CRFB steel leg
 1/4" CR attachment plate
 28.25" H
 36", 42" and 48" W
 60" - 240" L



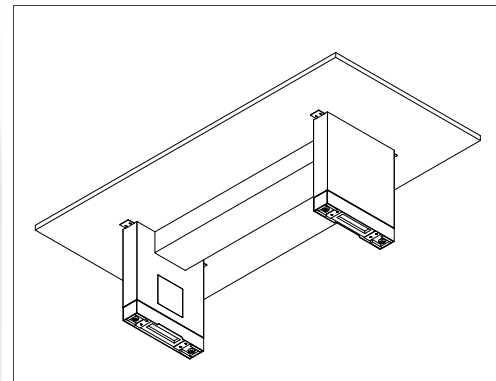
Center Wallace Leg



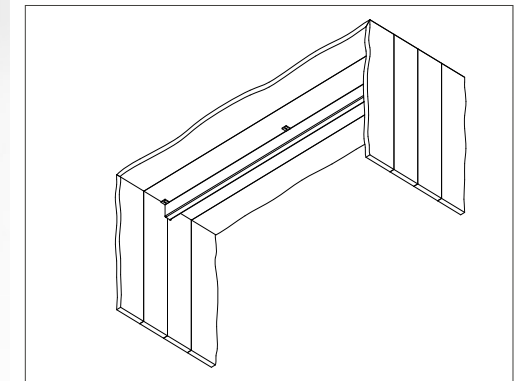
Center 12" Wood Box Leg



Shown in Clear Walnut top and base; Matte Black boot; CUBE1 data unit in leg.



Shown in Portobello Live Edge Maple standing height top and base; custom COHV1 data units.



BOX WITH BOOT

Solid wood or Premium Ply top on Premium Plywood box base with steel boot

DETAILS

5" W miter folded plywood box leg
 Plywood stretcher
 4" H steel boot
 3/16" reveal between boot and box leg
 Recessed adjustable levelers
 28.25" and 40.25" H
 36", 42" and 48" W
 60" - 240" L
 Also available with center 4" metal box leg



Center Box with Boot Leg

NARADA

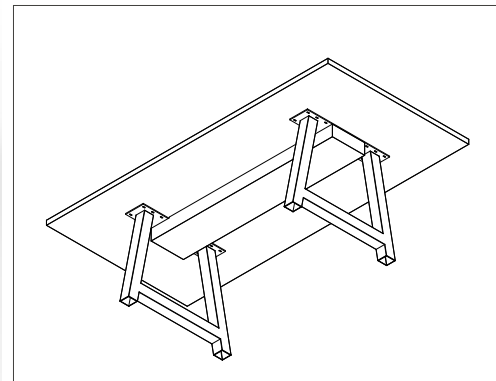
Solid wood top with waterfall edge wood slab legs and wood channel running the interior of one leg

DETAILS

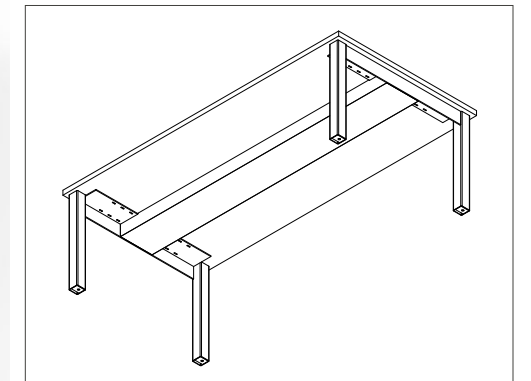
Plywood stretcher
 120"+ L tables must use Box legs for center leg(s)
 28.25" and 40.25" H
 36", 42" and 48" W
 60" - 240" L
 Also available with center 4" metal box leg



Shown in Clear Walnut top; Matte Black base; Casters; ASHE1 data unit.



Shown in Clear Walnut top; Matte Black base; Casters; COHV2 data unit.



BRIGGS

Solid wood or Premium Ply top on angled steel tube legs with optional black casters

DETAILS

3" x 3" angled steel tube leg
 8" x .125" steel attachment plate
 Casters available on tables 60" - 96" L
 28.25" and 40.25" H
 36", 42" and 48" W
 60" - 240" L
 Also available with center 4" metal box leg



Center Briggs Leg



Center 12" Wood Box Leg

NELSON TABLE

Solid wood or Premium Ply top on U-shaped, rectangular tube steel base

DETAILS

3" x 3" tube steel
 3" H plate at table ends
 1/4" x 6" flat bar attachment plate
 Casters available on tables 60" - 96" L
 28.25" and 40.25" H
 36", 42" and 48" W
 60" - 240" L
 Also available with center 4" metal box leg



Center Nelson Leg

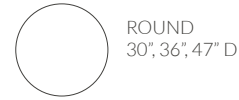


Center 12" Wood Box Leg

table top

SHAPES & SIZES

We offer round, square, and rectangular table tops. They are sold with or without commercial bases. Depending on the shape, sizes run from a small table for 2 to a large meeting table for 18+. Custom shape, size, finishes and design options are available.



ROUND
30", 36", 47" D



SQUARE
48" W x 48" L

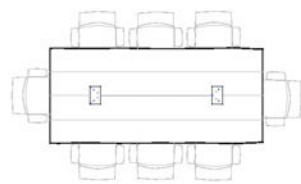


RECTANGULAR
36", 42", 48" W x 48"~240" L

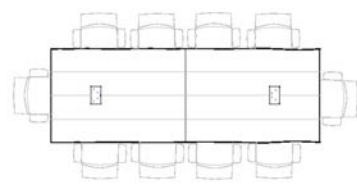
SIZED FOR GUESTS

Meeting tables can be sized to accommodate the number of guests needed. Custom size, finishes and design options are available. Our standard conference table tops are artfully composed from solid wood slabs or premium plywood or specialty veneer sheets to net an overall top width of 36", 42" or 48".

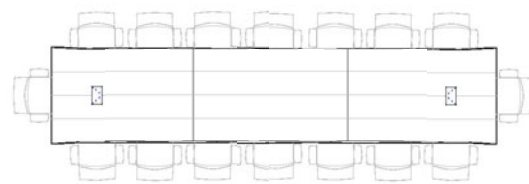
48" L - 108" L Tables
2 legs, no field joint



120" L - 192" L Tables
3 legs, 1 field joint



216" L - 240" L Tables
4 legs, 2 field joints



WOOD SPECIES

Our table tops are available in our standard solid wood Maple, Oak and Walnut species, and Specialty Veneer. Custom wood options are also available.



MAPLE



OAK



WALNUT



SPECIALTY VENEER

WOOD FINISHES



MAPLE SNOW



OAK SNOW



WALNUT SNOW



SV MONTEREY



MAPLE NATURAL



OAK NATURAL



WALNUT NATURAL



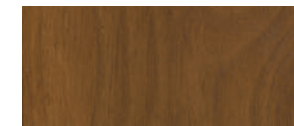
SV RIFT WHITE OAK



MAPLE CARAMEL



OAK CARAMEL



WALNUT CARAMEL



SV VG FIR



MAPLE NUTMEG



OAK NUTMEG



WALNUT NUTMEG



SV QTR TEAK



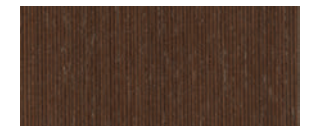
MAPLE EARTH



OAK EARTH



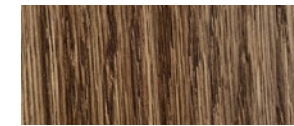
WALNUT EARTH



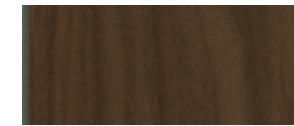
SV WENGE



MAPLE DISCOVERY



OAK DISCOVERY



WALNUT DISCOVERY



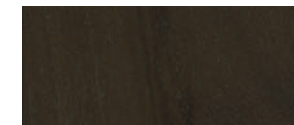
SV NAPA



MAPLE HEMATITE



OAK HEMATITE



WALNUT HEMATITE



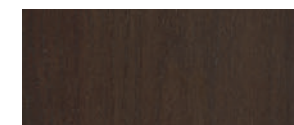
SV PS WALNUT



MAPLE PORTOBELLO



OAK PORTOBELLO



WALNUT PORTOBELLO



SV GUN METAL EBONY



MAPLE RAVEN



OAK RAVEN



WALNUT RAVEN

table base

RECTANGLE TABLE BASE OPTIONS



ANSEL



BOX WITH BOOT



BROWER

ROUND/OVAL TABLE BASE OPTIONS



BARLOW COFFEE



BARLOW STANDING



BARLOW OVAL

CENTER LEG/CORD MANAGEMENT OPTIONS



NARA



NARADA



WALLACE



4" METAL BOX



12" WOOD BOX



SNAK1

TABLE BASES WITH OPTIONAL CASTERS



SKYLINE

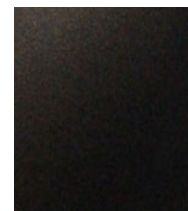


BRIGGS

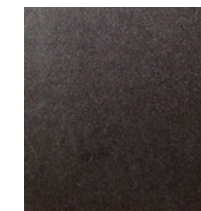


NELSON

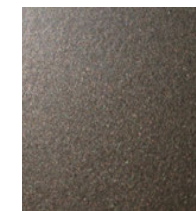
METAL FINISHES



MATTE BLACK BRONZE



MATTE BLACK



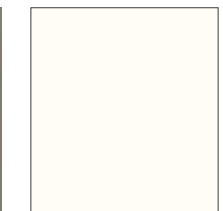
METALLIC BRONZE



SILVER GLIMMER



SATIN NICKEL



SEASHELL WHITE



STORM BLUE

technology

POWER MODULES

Our standard power/data boxes are configured with 1-4 UL listed electrical outlets and optional USB, HDMI and cutout for a telecom plate. All units are available in black and white standard. Custom data units and finishes are also available.

SURFACE INSTALLATION

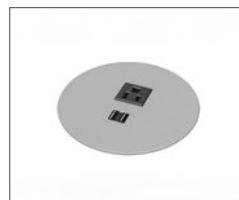


COVE 2 POWER

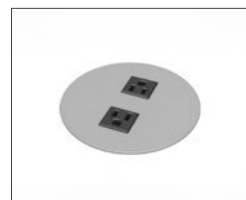


COVE 4 POWER

SURFACE INSTALLATION - ROUND



COVER ROUND 1 PWR



COVER ROUND 2 PWR



ECLIPSE

SURFACE INSTALLATION - WITH COVER



INTERACT G2



MHO CAT6



MHO HDMI



MHO OPEN PORT



REEF

UNDER MOUNT INSTALLATION



ASHLEY DUO UNDER



INTERACT G2 UT





FEATURED PRODUCT IMAGES & DESIGN CREDITS *Listed by pages from top to bottom clockwise*

Front Cover Skyline Table in White Oak with Clear finish (MW) **P2** Barlow Oval Table in White Oak with Seashell White base and CLIP1 data units (MW); Walnut retail display table in clear finish for Fran's Chocolates, with steel boot on legs (MW); **10'** Narada maple table in clear finish (MW) **P3** Two level Brower Ash table in earth finish and steel base in matte black finish (MW); Custom standing height Nara Ash table in earth finish for MG2 (MG2) (MW); **12-person** maple Brower conference table in earth finish with canted edge (GGLO) **P5** Live edge Maple desk and table top and workstation surrounds in clear finish for The Bullitt Center - "The Greenest Commercial Building in the world" **P6** 14-person Maple conference table in clear finish for MG2 (MW) **P7** Skyline Table in White Oak with clear finish (MW); Briggs standing height Walnut table in clear finish and steel base in matte black finish (MW); Barlow coffee table (MW); Narada table (MW) **P26** Ash Narada standing height table in clear finish for MG2 (MG2) (MW); Briggs table in production shop with center wood box base (MW) **P27** custom Briggs standing height table and steel base in clear with casters for Mithun (Mithun) (MW); Barlow Oval Table in Walnut with Brass Metallic base (MW) **Back Cover** Barlow Oval Table in Walnut with Brass Metallic base

**In parenthesis indicates design credit*



meyer wells
ART FROM WOOD

meyerwells.com | corianderdesigns.com

info@meyerwells.com

206.282.0076 office